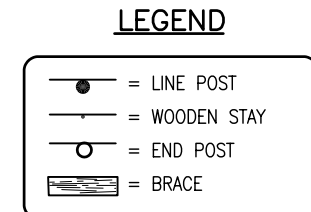
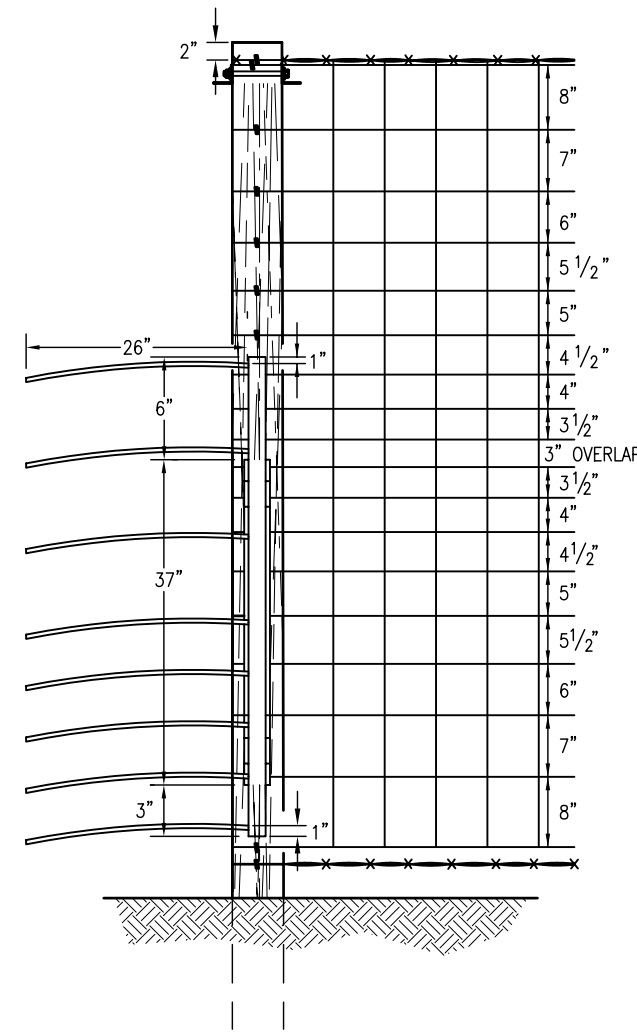


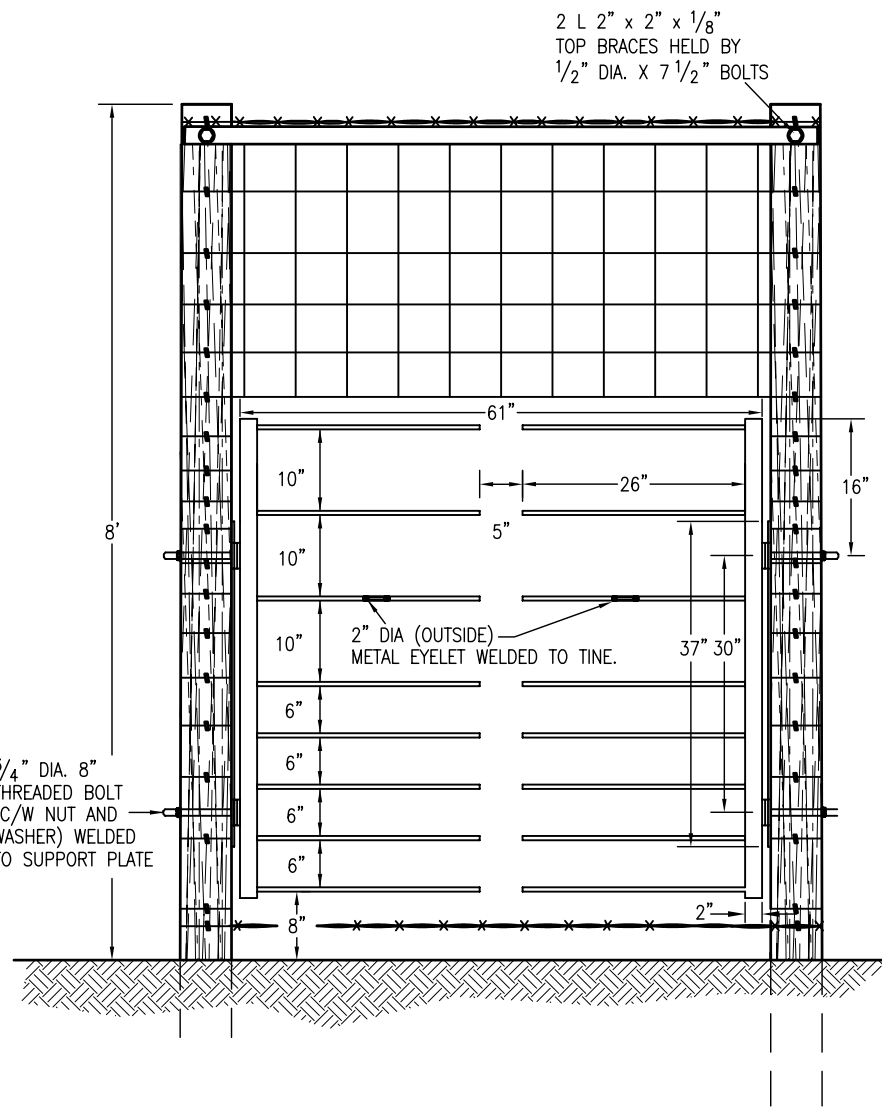
PLAN VIEW - TYPICAL DEER GATE INSTALLATION



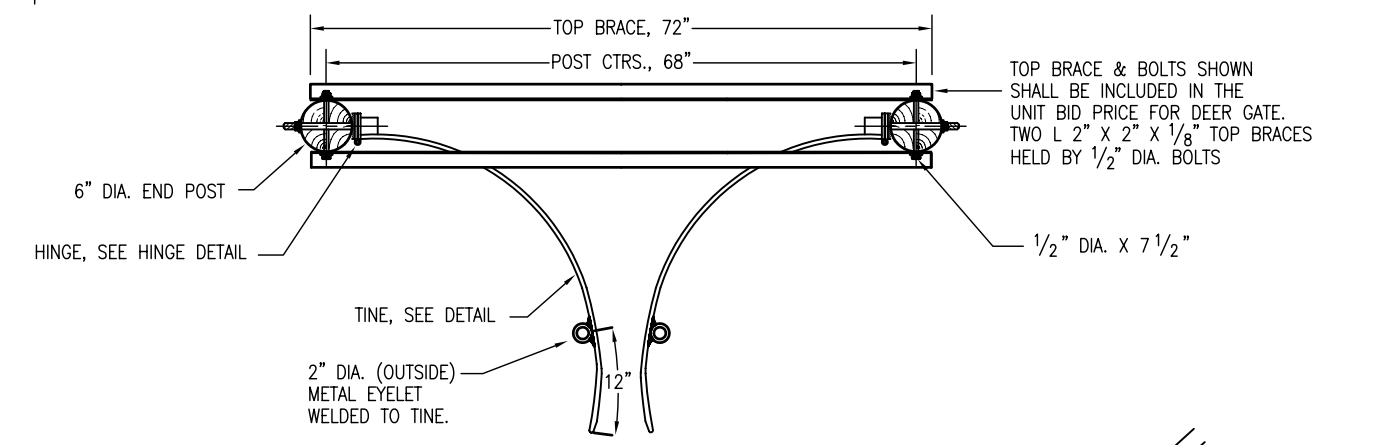
- NOTES**
- SIX IN. DOUBLE ACTING SPRING DOOR HINGE WITH FLAT BUTTON TIPS CUT IN TWO SHALL BE USED AS A SINGLE SWING HINGE AND BE PROVIDED WITH A GREASING NIPPLE AND WELDED TO SUPPORT PLATE.
  - TINES SHALL BE MOLDED IN ONE PIECE OF STEEL (AASHTO M 169, GRADE 1050), WITH NO WELDS ALLOWED.
  - GAP CLOSURE: EXCEPT FOR DEER GATES, CONSTRUCT FENCE WITHOUT OPENINGS OR GAPS, ESPECIALLY AT STRUCTURES, CLIFFS, AND IRREGULAR GROUND. WHEN A 6 IN. OR LARGER GAP EXISTS BELOW THE NORMAL BOTTOM FENCE WIRE, CLOSE THE GAP ACCORDING TO THE CLOSURE DETAIL. ALL EXTRA MATERIAL USED FOR GAP CLOSURES OF ANY TYPE OR LOCATION SHALL BE INCLUDED IN THE UNIT BID PRICE FOR THE FENCE.



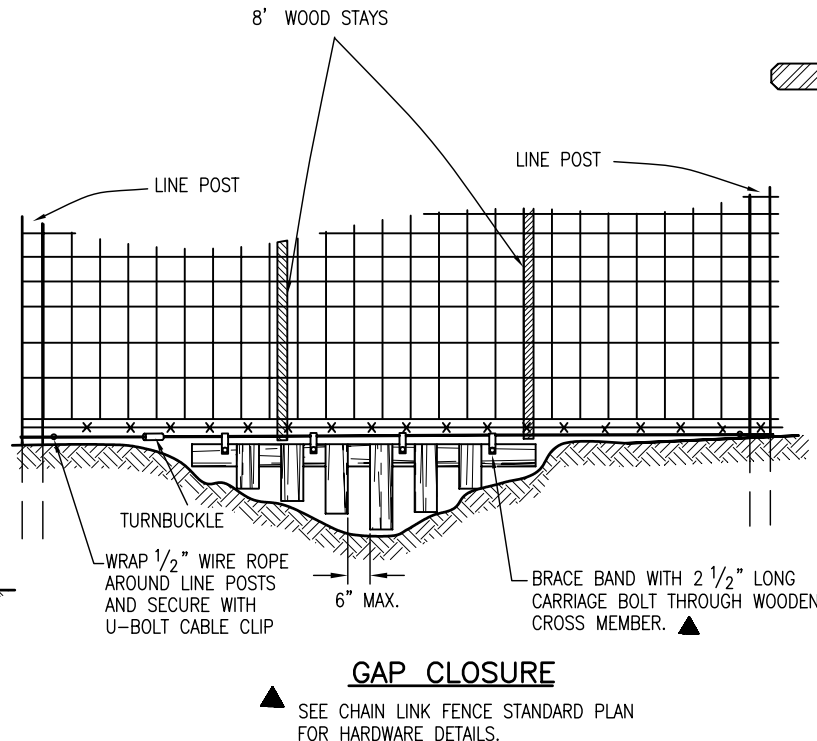
SECTION A-A



FRONT VIEW - DEER GATE

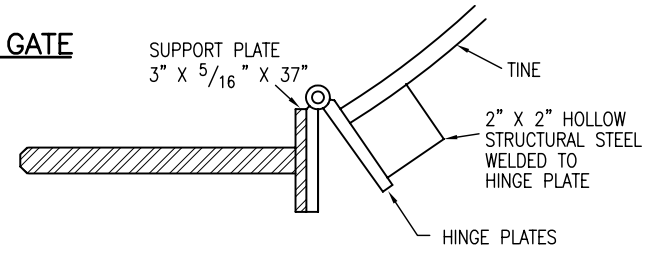


TOP VIEW - DEER GATE

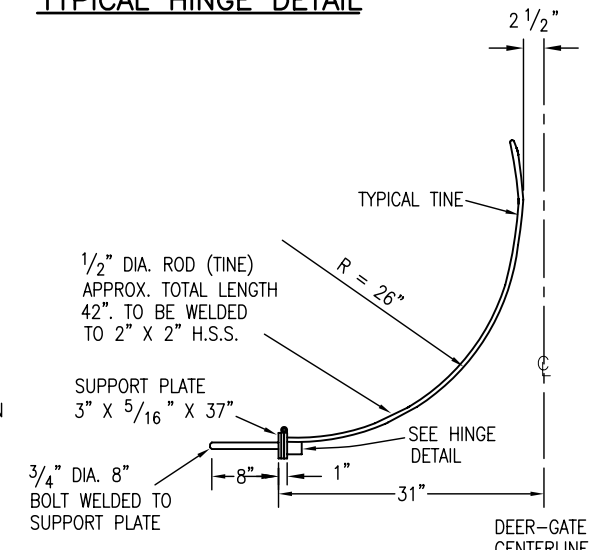


GAP CLOSURE

SEE CHAIN LINK FENCE STANDARD PLAN FOR HARDWARE DETAILS.



TYPICAL HINGE DETAIL



TYPICAL TINE DETAIL

**Computer File Information**

Creation Date: 07/04/06	Initials: SJR
Last Modification Date: 07/04/06	Initials: LTA
Full Path: www.dot.state.co.us/DesignSupport/	
Drawing File Name: 607040202.dwg	
CAD Ver.: MicroStation V8	Scale: Not to Scale Units: English

**Sheet Revisions**

Date:	Comments
(R-X)	
(R-X)	
(R-X)	
(R-X)	

Colorado Department of Transportation  
 4201 East Arkansas Avenue  
 Denver, Colorado 80222  
 Phone: (303) 757-9083  
 Fax: (303) 757-9820

**Project Development Branch**      **SRJ/LTA**

**DEER FENCE AND GATES**

Issued By: Project Development Branch on July 04, 2006

**STANDARD PLAN NO.**

**M-607-4**

**Sheet No. 2 of 2**